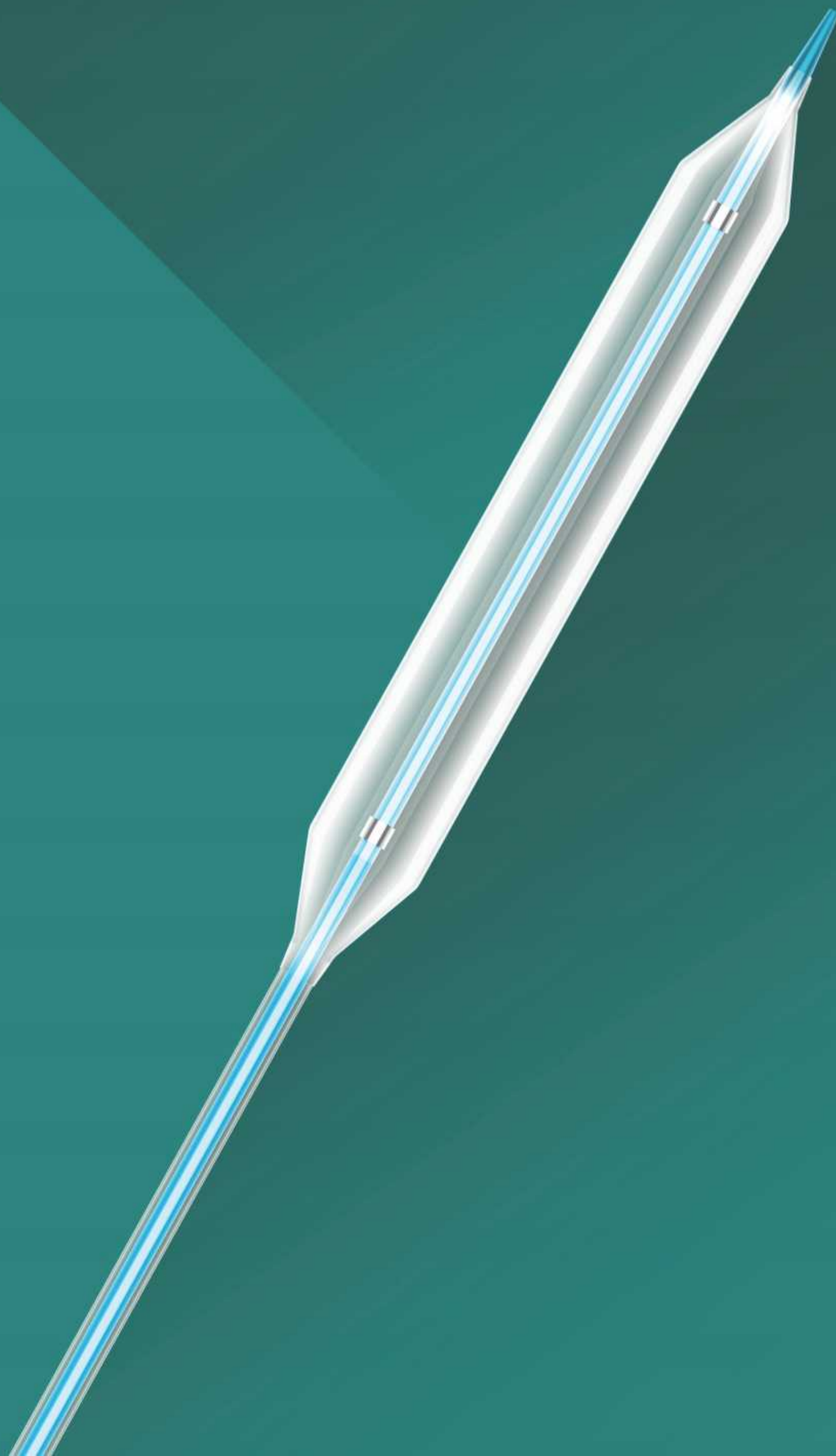


Sansin

PTA HIGH PRESSURE BALLOON DILATATION CATHETER

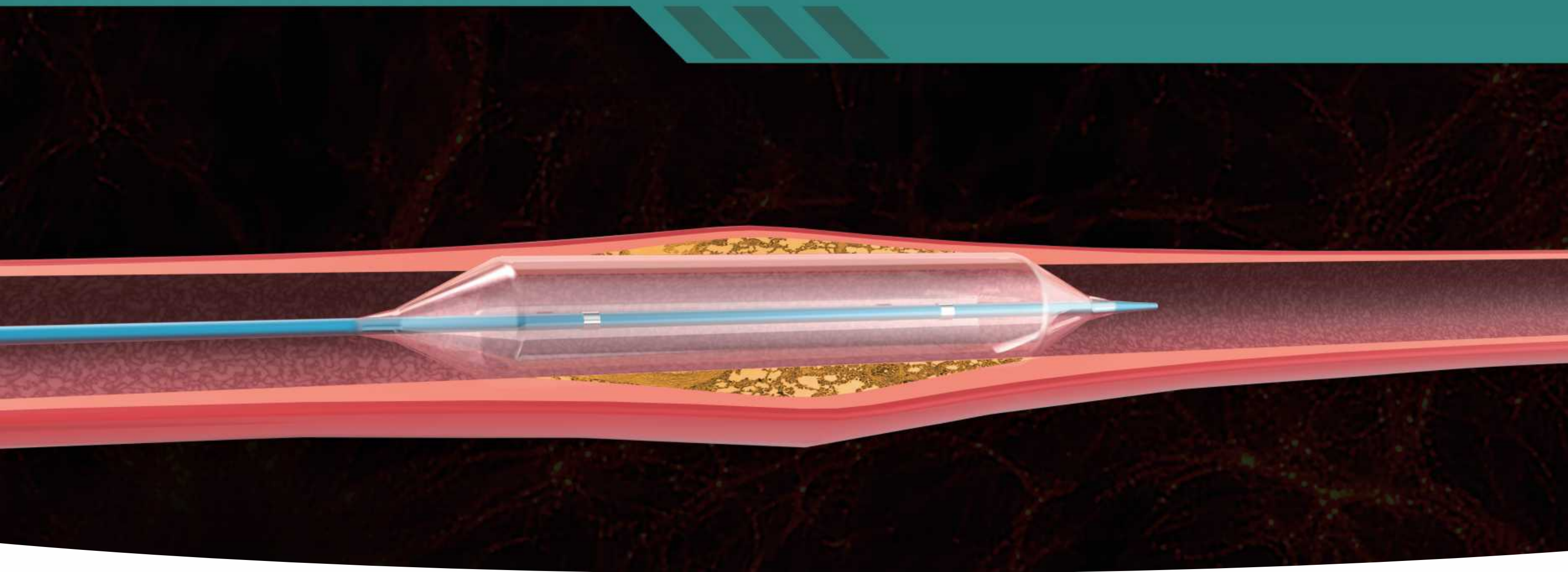
STERILE EO

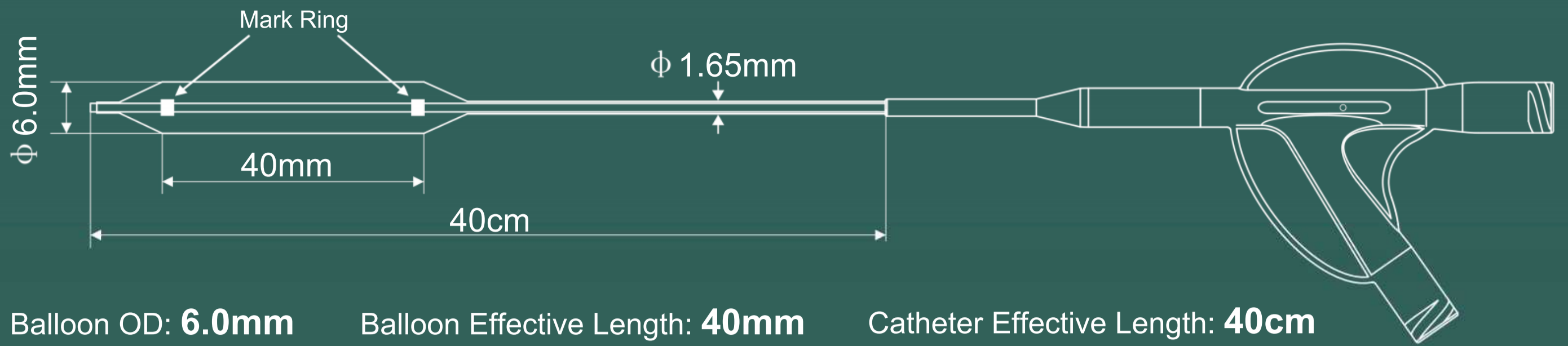




FEATURES

- The rated pressure of the balloon can reach 25atm, which can effectively dilate the stenosis lesions without "dog bone" effect.
- The unique head end design is more conducive to pass through bending lesions, avoid the "fish mouth" effect. Small folding diameter, good anchoring, easy for positioning and control, and accurate access to the lesion.
- The balloon has a good ability to go through the pathway of blood vessels. Shoulder is specially designed and has good maneuverability. It is especially designed for the narrow position with high curvature of AVF.

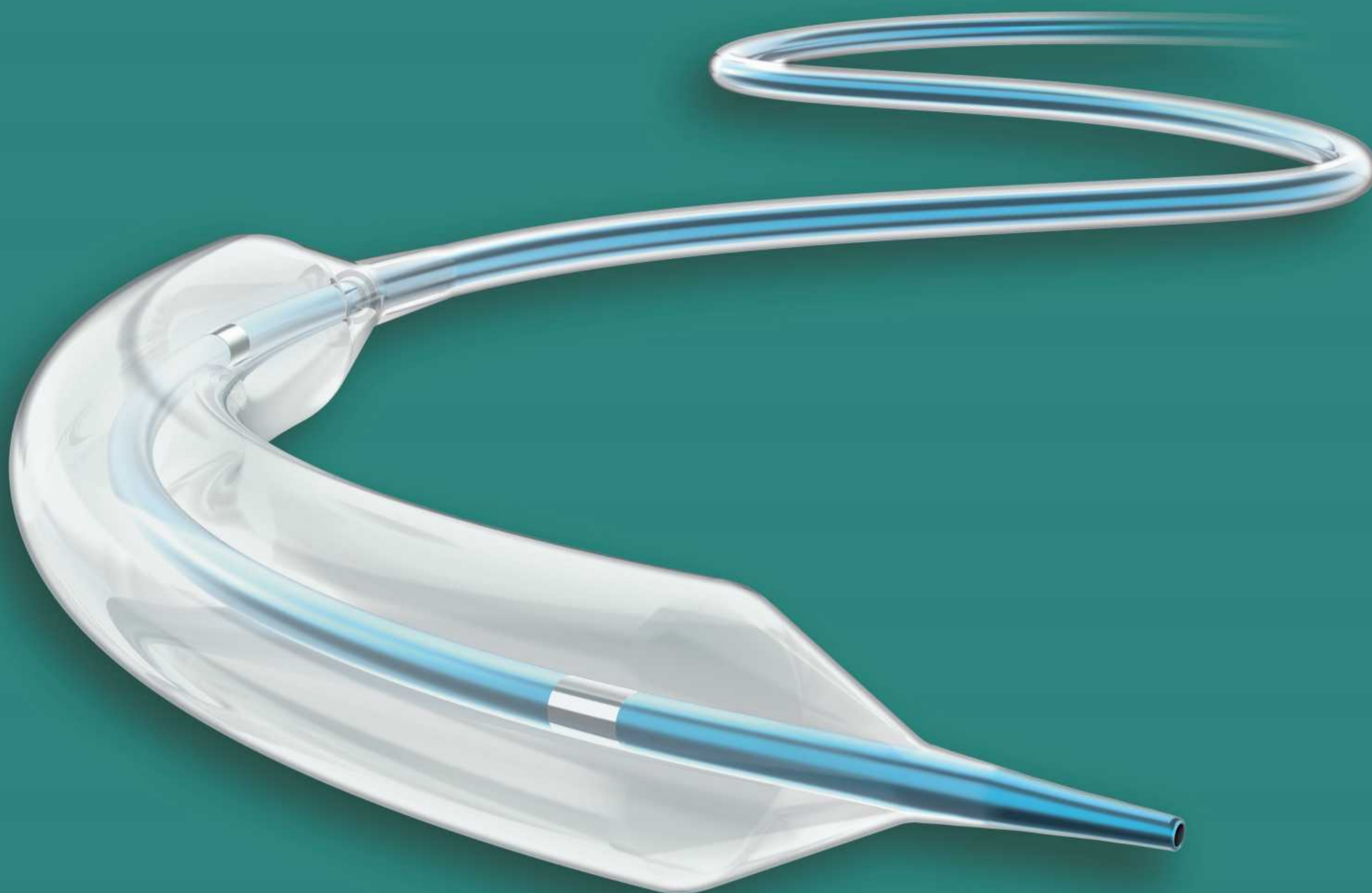




▲ Structure Drawing

SPECIFICATION

Balloon Diameter	Balloon Length	Catheter Effective Length	Catheter Sheath	Nominal Pressure	Rated Bursting Pressure
4.0mm	10mm	40cm	5Fr	12atm	25atm
	20mm				
	30mm				
	40mm				
	50mm				
	60mm				
	80mm				
5.0mm	10mm	40cm	5Fr	12atm	25atm
	20mm	50cm			
	30mm	80cm			
	40mm	120cm			
	50mm	135cm			
	60mm				
	80mm				
6.0mm	10mm	135cm	6Fr	12atm	25atm
	20mm				
	30mm				
	40mm				
	50mm				
	60mm				
	80mm				
7.0mm	10mm	135cm	7Fr	12atm	22atm
	20mm				
	30mm				
	40mm				
	50mm				
	60mm				
	80mm				



江西三鑫医疗科技股份有限公司

JIANGXI SANXIN MEDTEC CO.,LTD.

地址: 江西南昌小蓝经济技术开发区富山大道999号

Add: No.999 Fushan Road, Xiaolan Economic Development

Zone 330200 Nanchang, Jiangxi P.R. China

电话 (Tel) : 86-791-85950275 Fax: 86-791-85988819

邮箱 (E-mail) : sales@sanxin-med.com

网址 (Web) : www.sanxin-med.com

